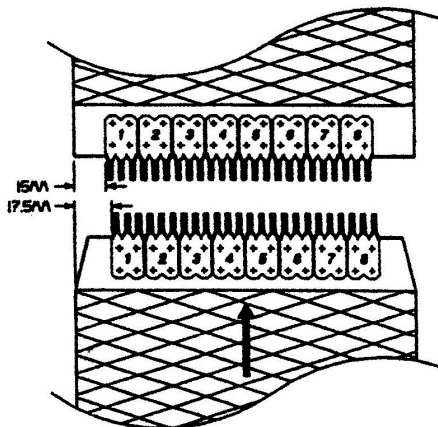


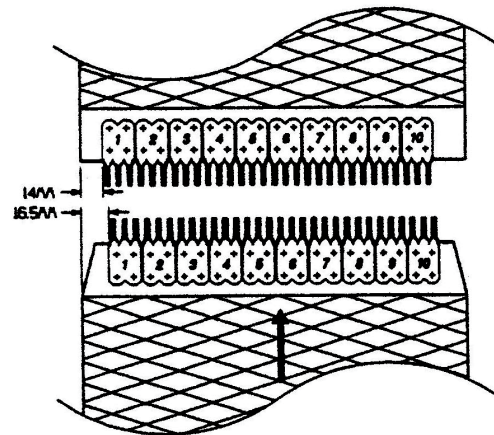
DISTRIBUTORS OF AGRICULTURAL ACCESSORIES & EQUIPMENT

TITAN / GORO MEASURING GUIDE CHART

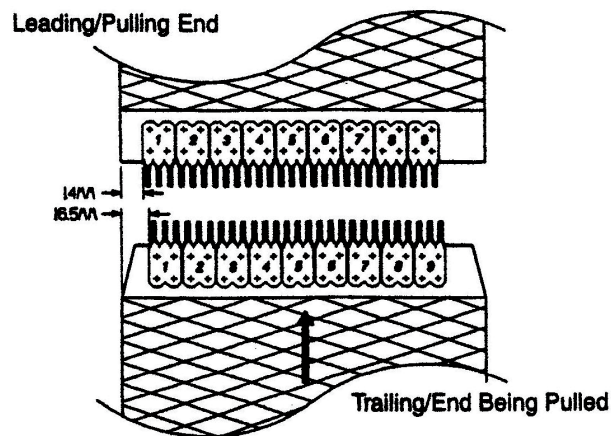
For proper positioning of fastener on belt, follow the example diagrams shown below.



**6" Wide Belt
8 Fasteners Per Side**



**7" Wide Belt
10 Fasteners Per Side**



**6.5" Wide Belt
9 Fasteners Per Side**

GUIDELINES FOR PROPER FASTENED POSITION

1. Always take measurement from the same side of each belt end.
2. Mark a reference line where the fastener is to be installed on belt.
3. A 2 ½ millimeter off-set is necessary in allowing the belt to properly align to form a straight edge when the splice are joined.
4. Install fasteners in belt.
5. After the fasteners are installed, determine the belts direction of travel. Notch the corners of belt on the trailing end (end being pulled).

CALL US NOW FREE CALL 1800 023 025

